

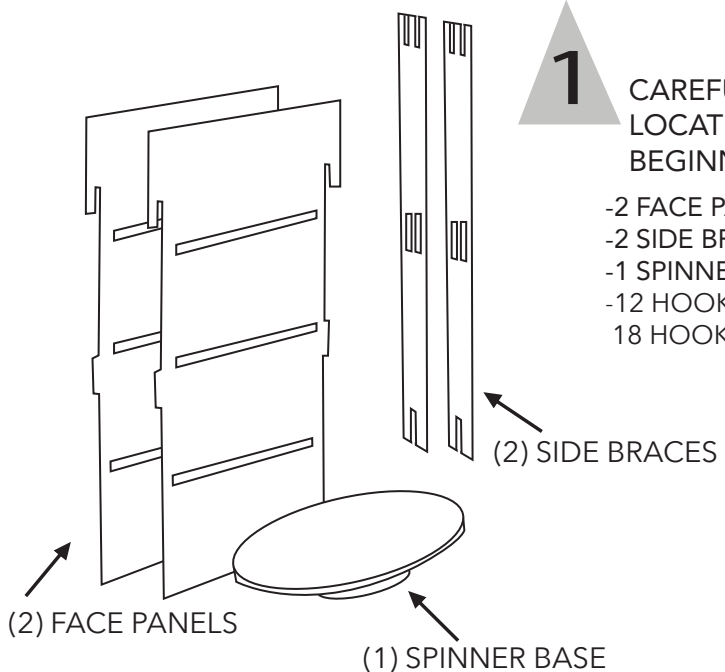
WS DSP 12
WS DSP 18

SPINNER ASSEMBLY

1

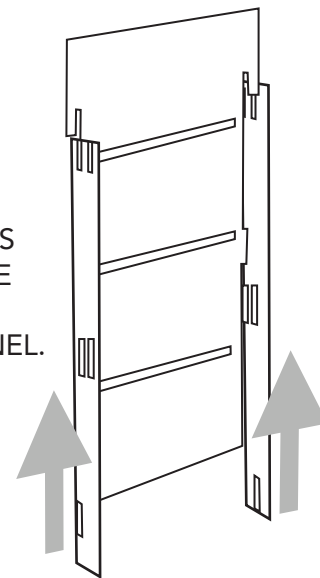
CAREFULLY UNPACK AND LOCATE ALL PARTS BEFORE BEGINNING ASSEMBLY.

- 2 FACE PANELS
- 2 SIDE BRACES
- 1 SPINNER BASE
- 12 HOOKS FOR WS DSP 12 OR
18 HOOKS FOR WS DSP 18



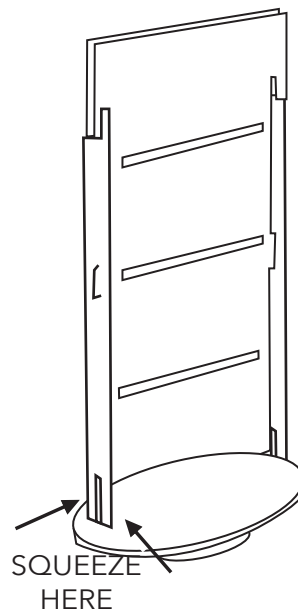
2

ATTACH THE 2 FACE PANELS TO THE 2 SIDE BRACES ONE AT A TIME BY SLIDING THE BRACE INTO THE FACE PANEL.



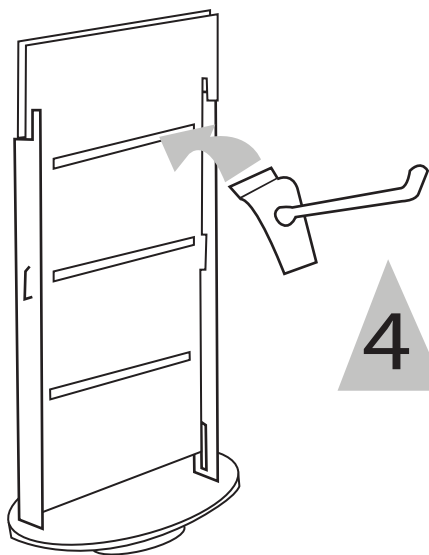
3

ATTACH THE SPINNER BASE BY SQUEEZING ONE SIDE BRACE AT THE BOTTOM WHERE THE CUT OUTS ARE. ATTACH ONE SIDE AT A TIME.



4

INSERT SLATWALL HOOKS OR OTHER ACCESSORIES INTO THE SLOTS IN THE FACE OF THE DISPLAY. TILT HOOKS UP TO INSERT INTO SLOTS AND BRING BACK TO LEVEL TO LOCK IN PLACE.



woodzstickers™

15752 S MAHAFFIE STREET
OLATHE, KANSAS 66062
PHONE: 913.228.2214
ORDERS@STEALTHKC.COM